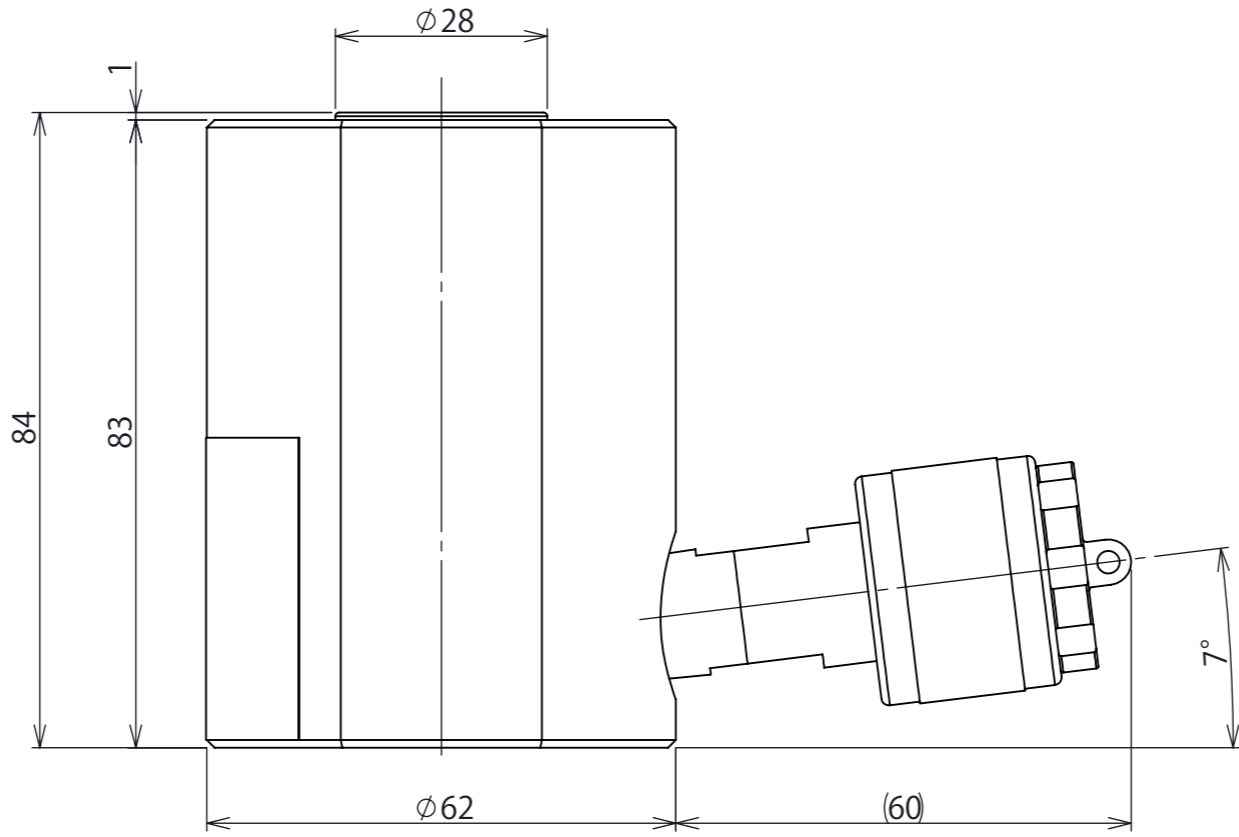
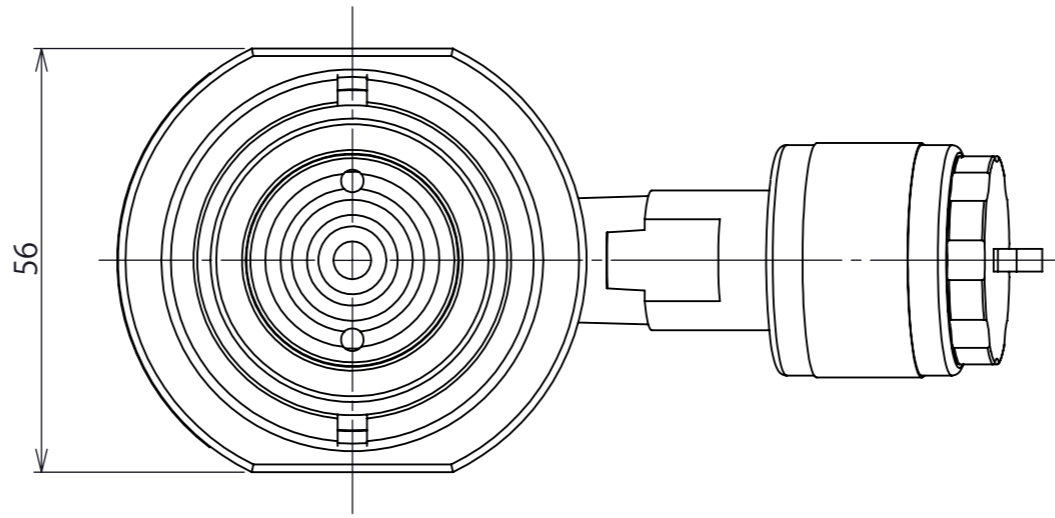


1 2 3 4 5 6 7 8

区分 G

A
B
C
D
E
F



A3

Capacity [kN]	50
Stroke [mm]	70
Cylinder inner diameter [mm]	12
Required oil [cm ³]	
Product weight [kg]	80
Dimensional tolerance [mm]	1.7 ±2

第3角法 3RD ANGLE PROJECTION	単位 DIM mm	尺度 SCALE 1:1	作成日付 DATE 2019/12/18
KONNO CORPORATION			
作成 DRAWN	TAKAKURA	検 APPROVED	認
照 CHECKED			
設 DESIGNED	XXXXX		

図面名称	2-stage Cylinder Jack CTS50-70 Dimension
REV. 01	
SHEET 1 OF 1	

A0004598

REV.	注記	日付	改定
1			

1 2 3 4 5 6 7 8