

1 2 3 4 5 6 7 8

区分 G

A A

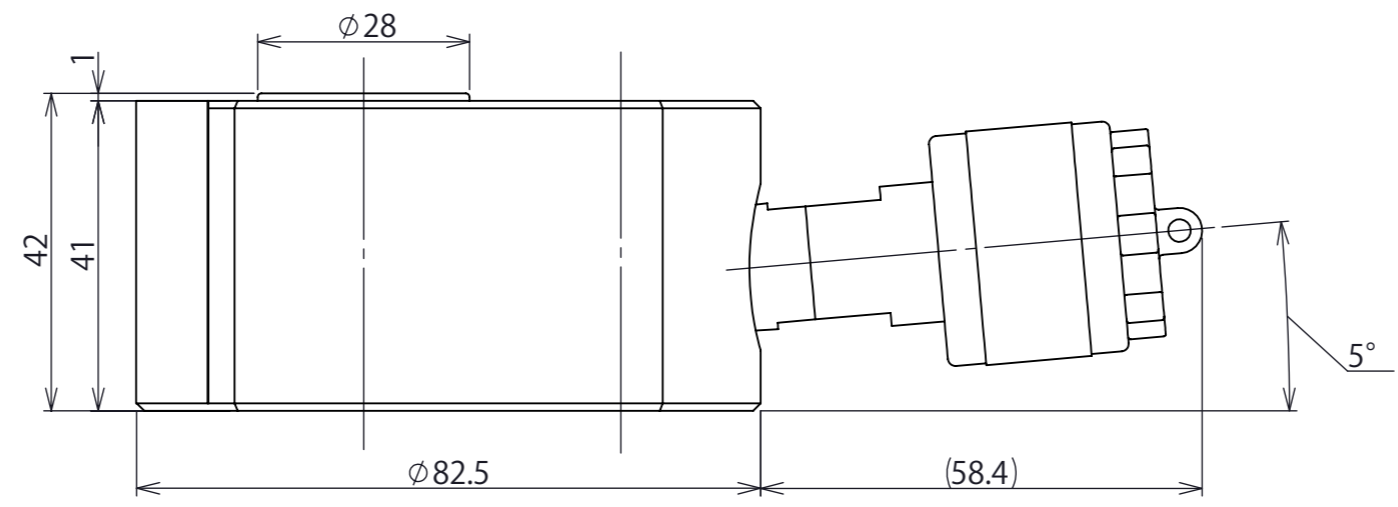
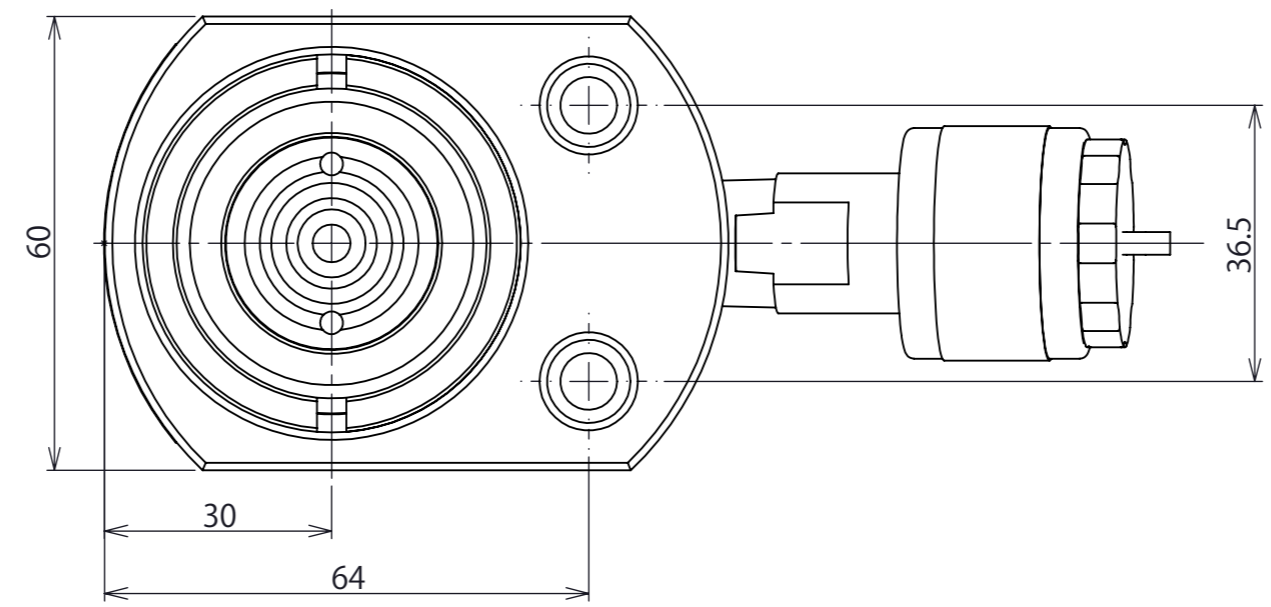
B B

C C

D D

E E

F F



A3

Capacity [kN]	50
Stroke [mm]	25
Cylinder inner diameter [mm]	31
Required oil [cm <sup>3</sup> ]	29
Product weight [kg]	1.3
Dimensional tolerance [mm]	±2

第3角法 3RD ANGLE PROJECTION	単位 DIM mm	尺度 SCALE 1:1	作成日付 DATE 2018.12.06
KONNO CORPORATION			
作成 DRAWN	TAKAKURA	検 APPROVED	認
照 CHECKED			
設 DESIGNED	XXXXX		

図面名称	2-stage Cylinder Jack CTS50-25 Dimension
REV.	01
SHEET	1 OF 1

A0003964

REV.	注記	日付	改定
------	----	----	----

1 2 3 4 5 6 7 8