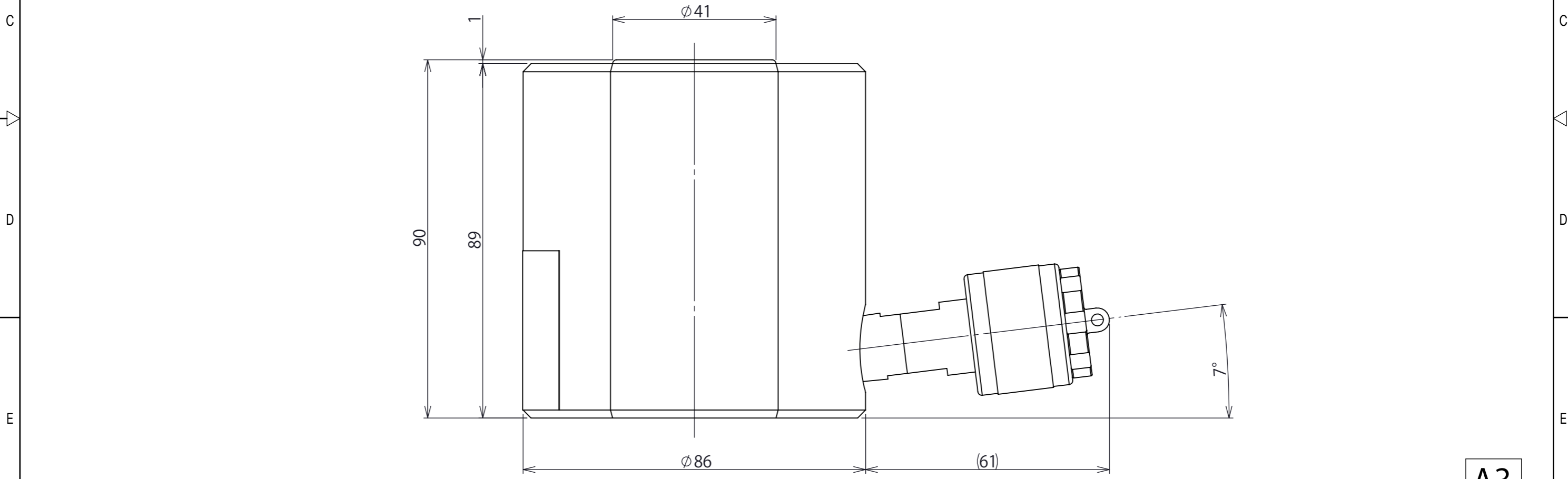
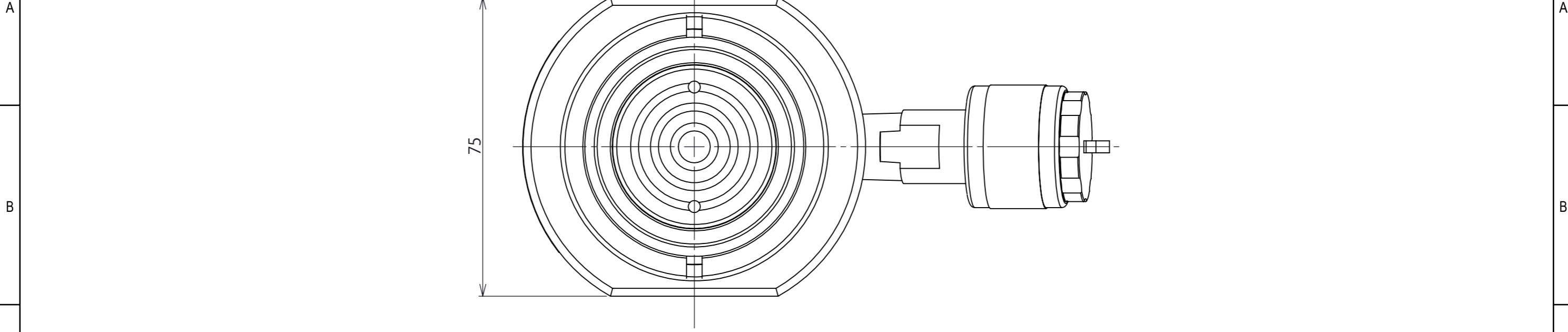


1 2 3 4 5 6 7 8

区分 G



A3

Capacity [kN]	100
Stroke [mm]	70
Cylinder inner diameter [mm]	44
Required oil [cm ³]	153
Product weight [kg]	3.6
Dimensional tolerance [mm]	±2

第3角法 3RD ANGLE PROJECTION	単位 DIM mm	尺度 SCALE 1:1	作成日付 DATE 2019/12/18
KONNO CORPORATION			
作成 DRAWN	TAKAKURA	検 APPROVED	認
照 CHECKED			
設 DESIGNED	XXXXX		

図面名称
2-stage Cylinder Jack
CTS100-70 Dimension

REV. 01
SHEET 1 OF 1
A0004599

REV.	注記	日付	改定
------	----	----	----

1 2 3 4 5 6 7 8