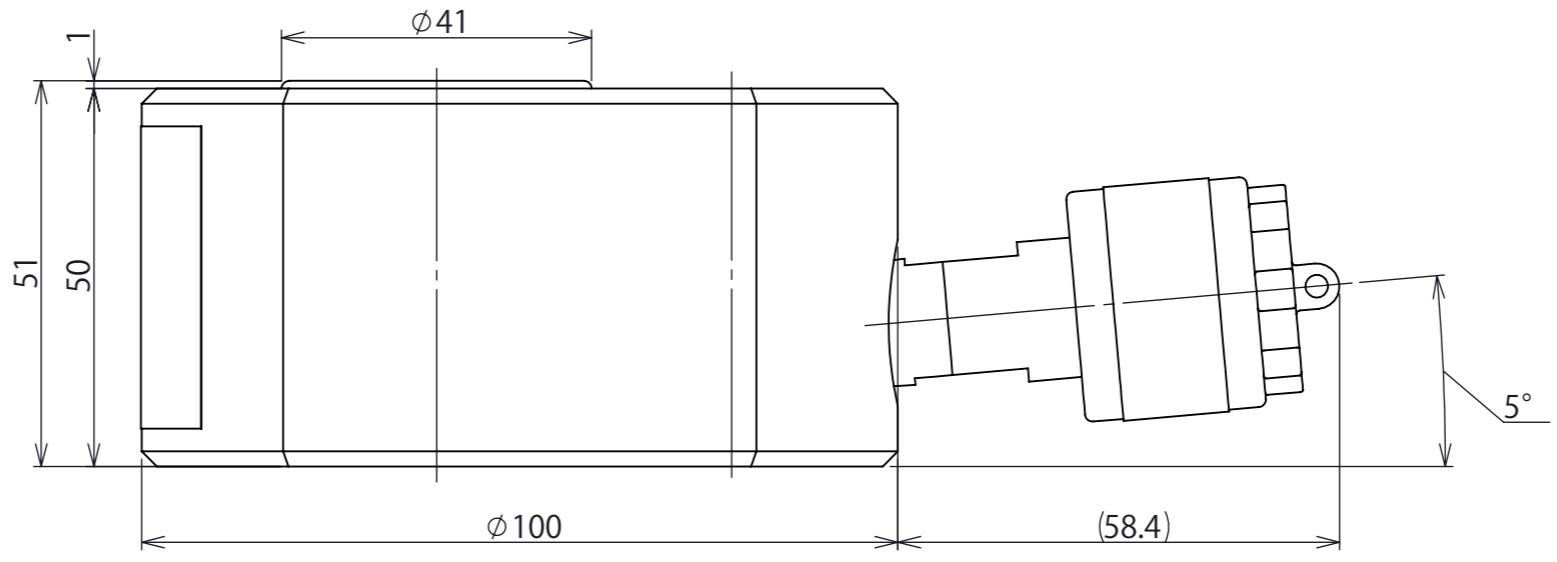
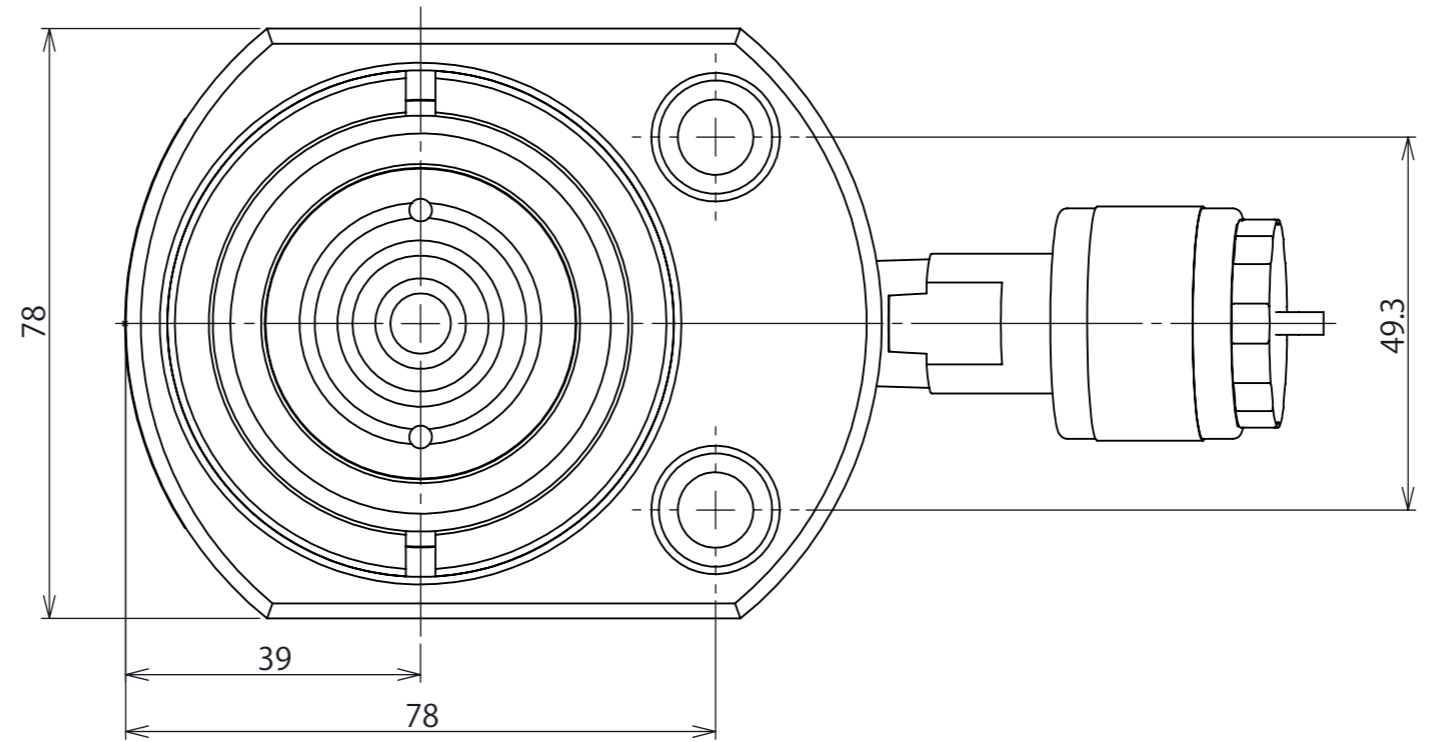


1 2 3 4 5 6 7 8

区分 G

A  
B  
C  
D  
E  
F



A3

Capacity [kN]	100
Stroke [mm]	25
Cylinder inner diameter [mm]	44
Required oil [cm <sup>3</sup> ]	55
Product weight [kg]	2.4
Dimensional tolerance [mm]	±2

第3角法 3RD ANGLE PROJECTION	単位 DIM mm	尺度 SCALE 1:1	作成日付 DATE 2018.12.06
KONNO CORPORATION			
作成 DRAWN	TAKAKURA	検 APPROVED	認
照 CHECKED			
設 DESIGNED	XXXXX		

図面名称	2-stage Cylinder Jack CTS100-25 Dimension
REV.	01
SHEET	1 OF 1
<b>A0003965</b>	

REV.	注記	日付	改定
------	----	----	----

1 2 3 4 5 6 7 8