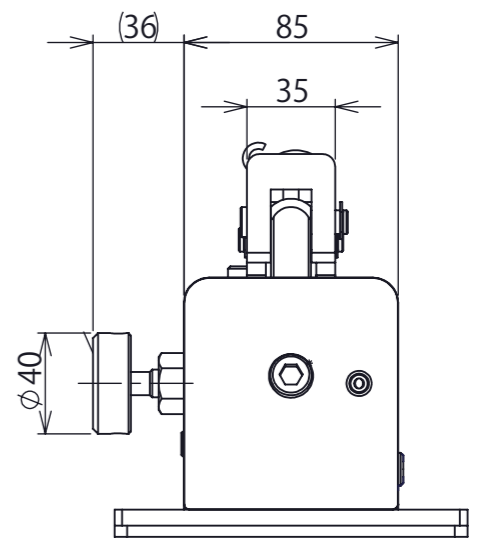
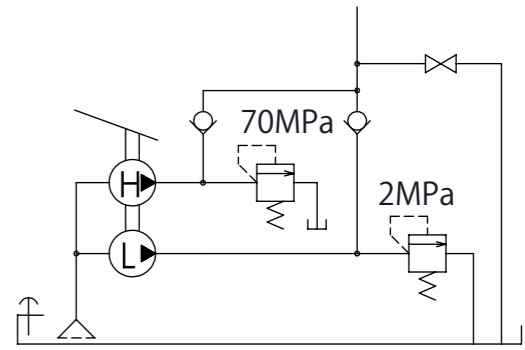


Hydraulic circuit diagram



Maximum operating pressure [MPa]	high pressure	70
	low pressure	2
Discharge rate [cm <sup>3</sup> ]	high pressure	1
	low pressure	12.9
Oil amount [cm <sup>3</sup> ]		500
Product weight [kg]		290
Dimensional tolerance [mm]		5
		±2

第3角法 3RD ANGLE PROJECTION	単位 DIM mm	尺度 SCALE 1:3	作成日付 DATE 2020.04.07
KONNO CORPORATION			
作成 DRAWN TAKAKURA	検 APPROVED		
照 CHECKED			
設 DESIGNED XXXXX			

図面名称  
Hydraulic hand pump  
APS05-70 Dimension

**A3**

**A0004907**

REV. 01  
SHEET 1 OF 1