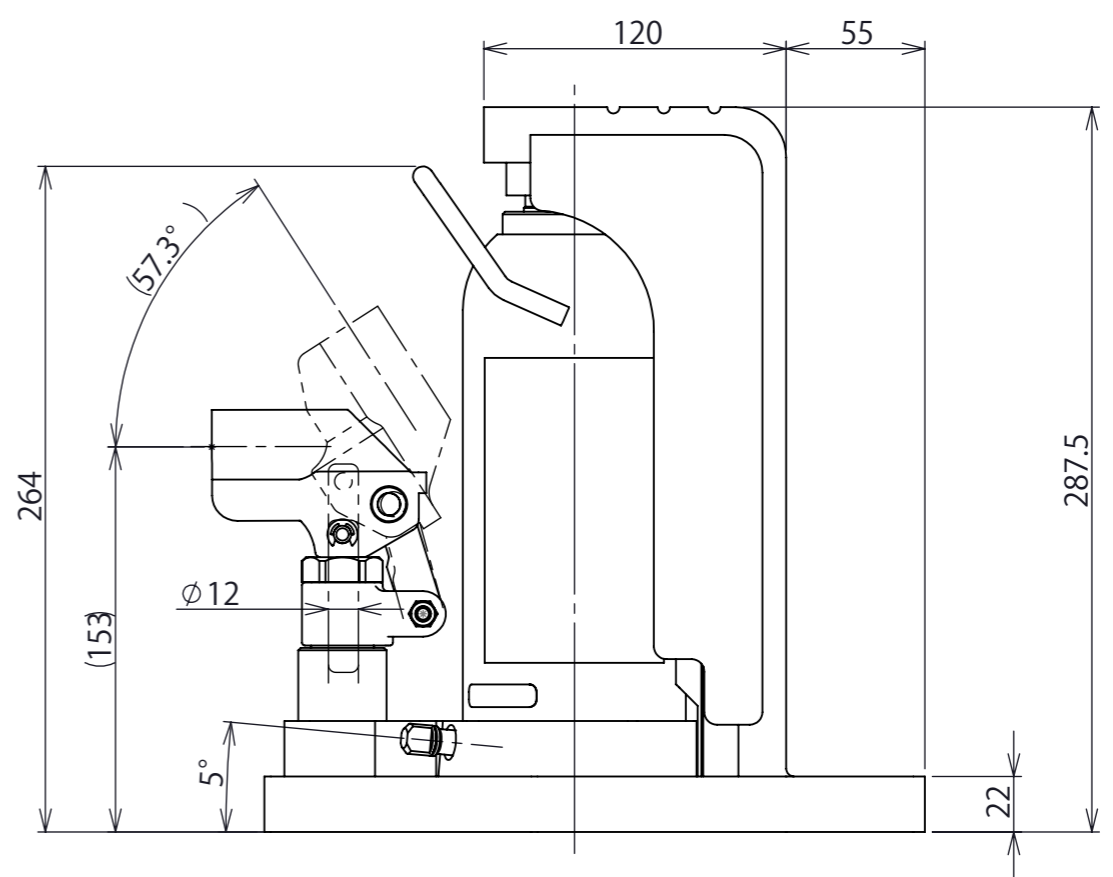
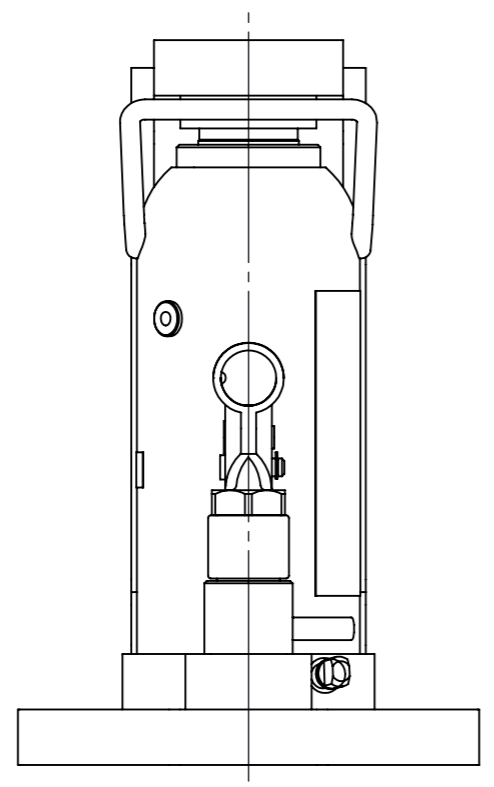
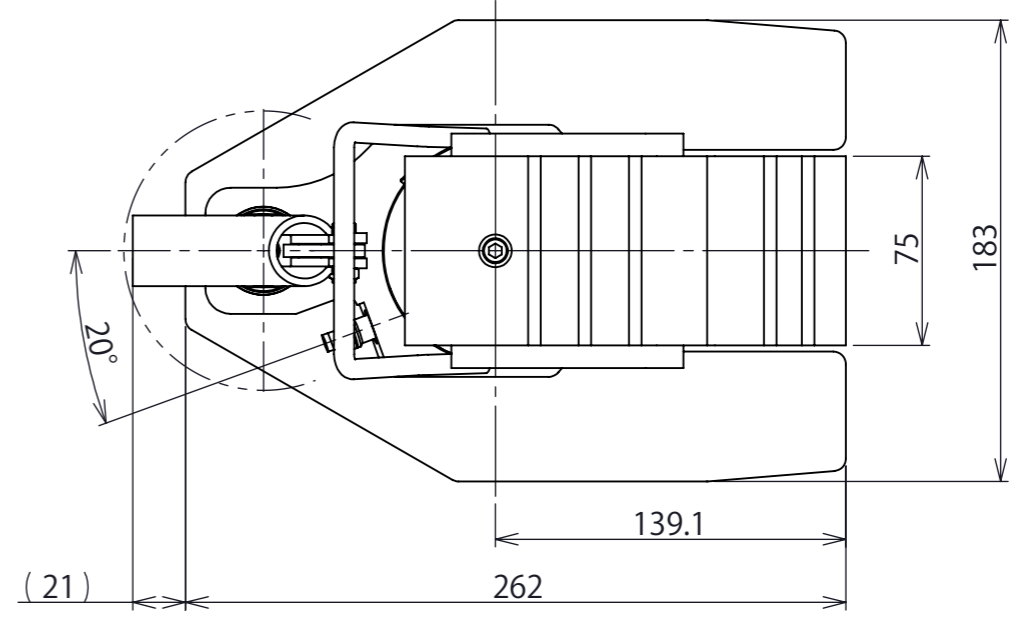
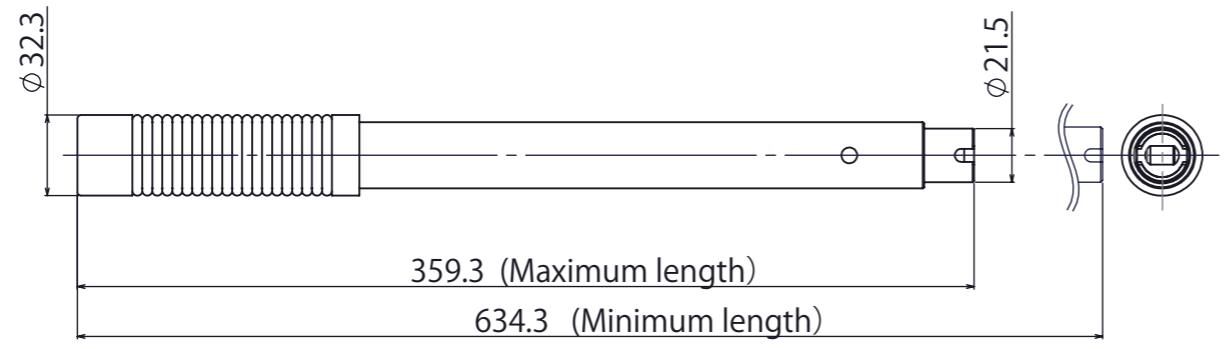


1 2 3 4 5 6 7 8

区分 G

A  
B  
C  
D  
E  
F



Capacity [kN]	Head	100
	Toe	50
Stroke [mm]		130
Pump Piston diameter [mm]		12
Cylinder inner diameter [mm]		45
Oil required [cm <sup>3</sup> ]		310
Product weight [kg]		21
Dimensional tolerance [mm]		±2

第3角法 3RD ANGLE PROJECTION

単位 DIM mm 尺度 SCALE 1:3 作成日付 DATE 2012.08.28

KONNO CORPORATION

作成 DRAWN TAKAKURA 検査 CHECKED XXXXX 設計 DESIGNED XXXXX

図面名称 Toe-Lift Jacks  
G-100 Dimension

A3

REV. 02 SHEET 1 OF 1

**A0000141**

1 2 3 4 5 6 7 8