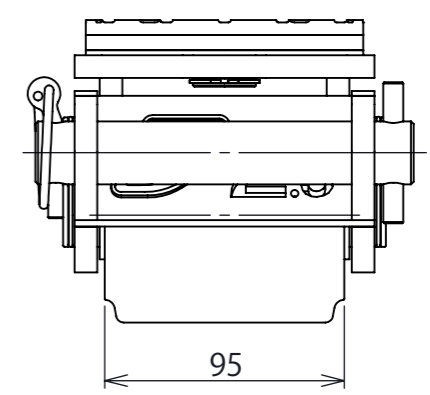
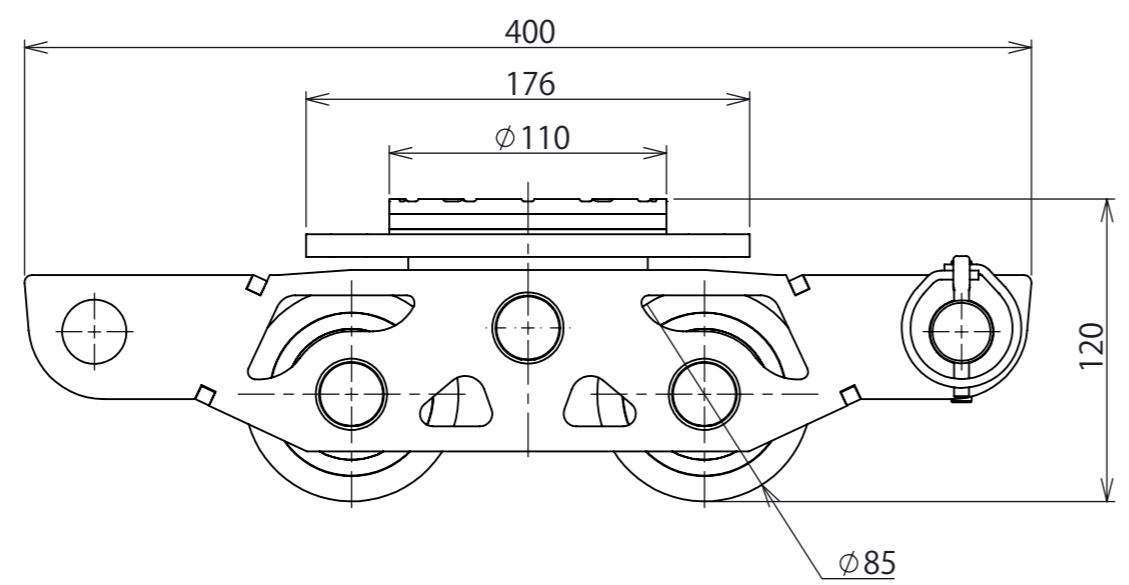
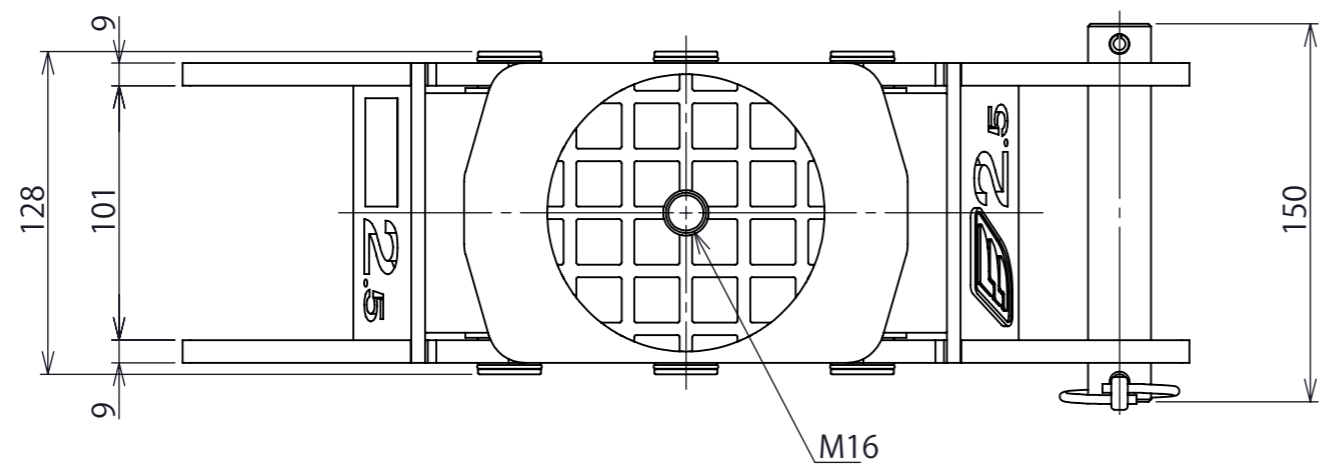


1 2 3 4 5 6 7 8

区分 G

A
B
C
D
E
F



A3

Capacity [kN]	25
Body height [mm]	120
Turntable diameter [mm]	110
Product weight [kg]	11

第3角法 3RD ANGLE PROJECTION	単位 DIM mm	尺度 SCALE 1:3	作成日付 DATE 2016.11.18
KONNO CORPORATION			
作成 DRAWN	TAKAKURA	検 APPROVED	認
照 CHECKED			
設 DESIGNED	XXXXX		

図面名称
**Machinery Skates
SD-25F Dimension**

A0002468

REV. 03
SHEET 1 OF 1

1 2 3 4 5 6 7 8